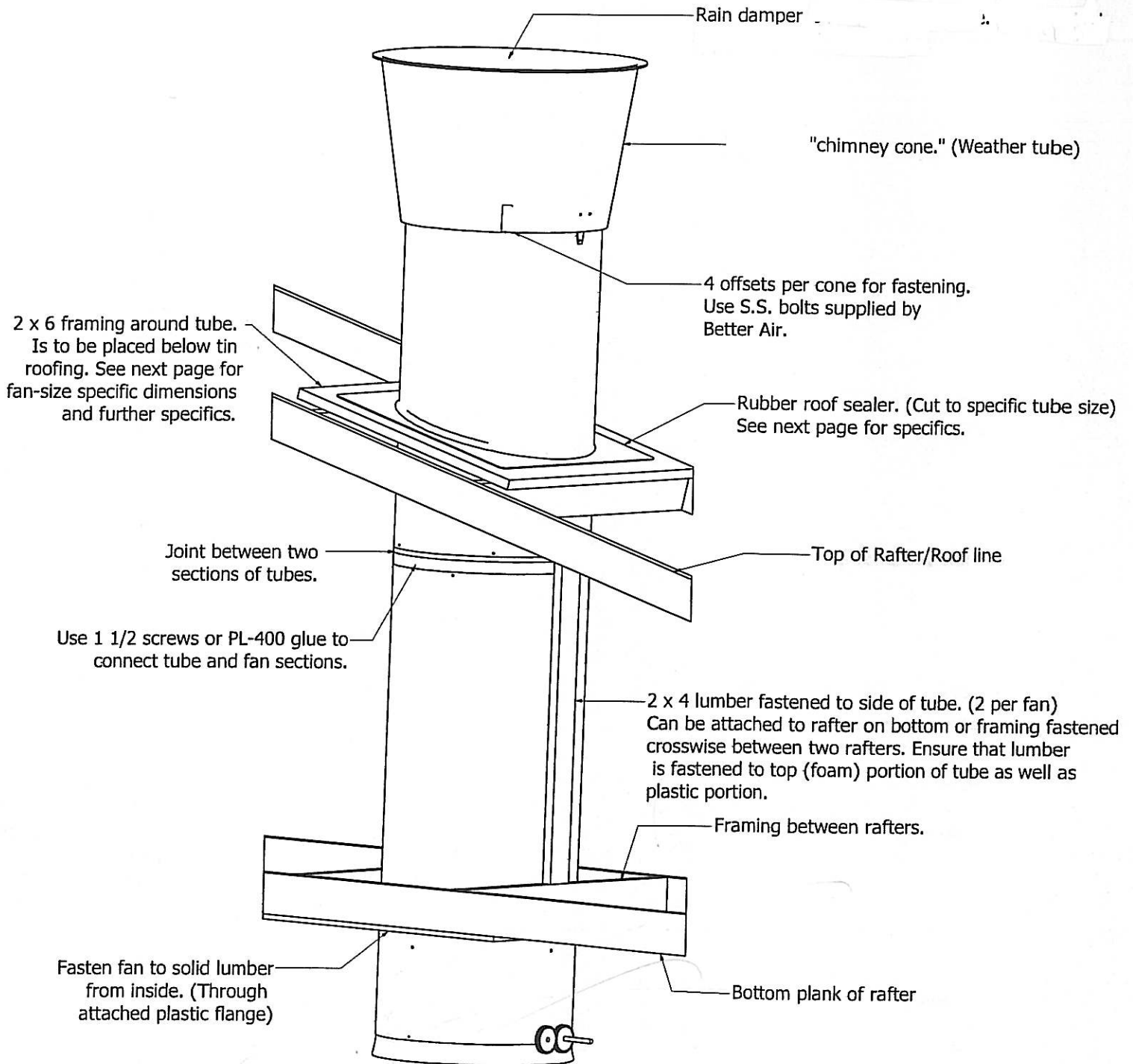


Better Air Systems

- 25" · 18"

Chimney Fan installation instructions

Page 1 of 2



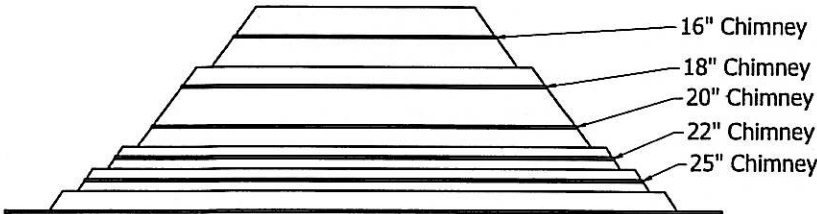
Better Air Systems
Box 490, R0H 0R0
MacGregor, Mb. Canada
ph. (204)252-2333
fx. (204)252-2928
web: www.betterair.ca

Better Air Systems

- 25" - 22" - 20" - 18" - 16" -
Chimney Fan Installation instructions
Page 2 of 2

Rubber Sealer specifics

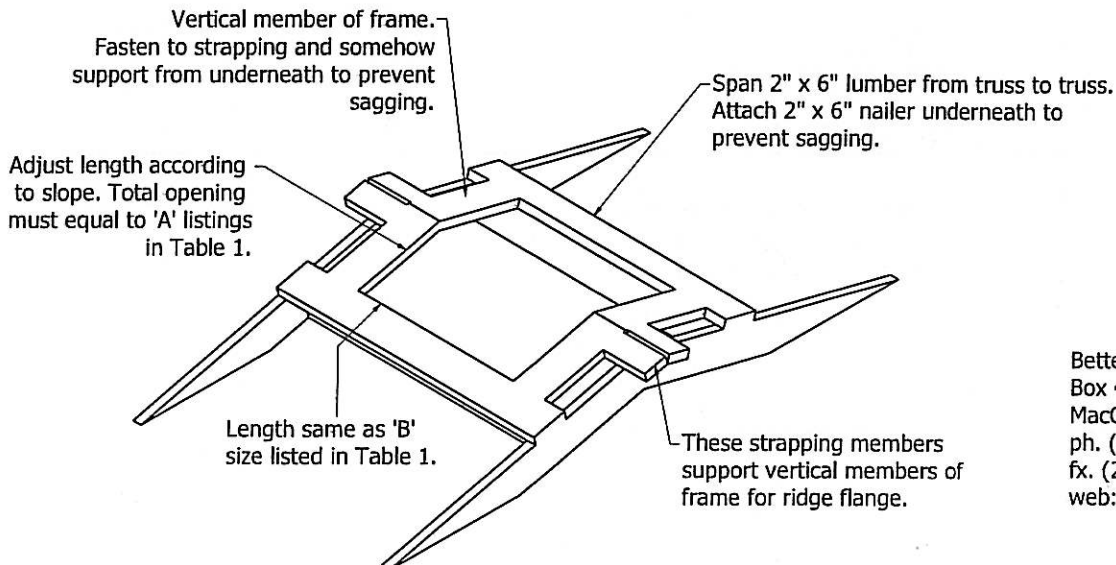
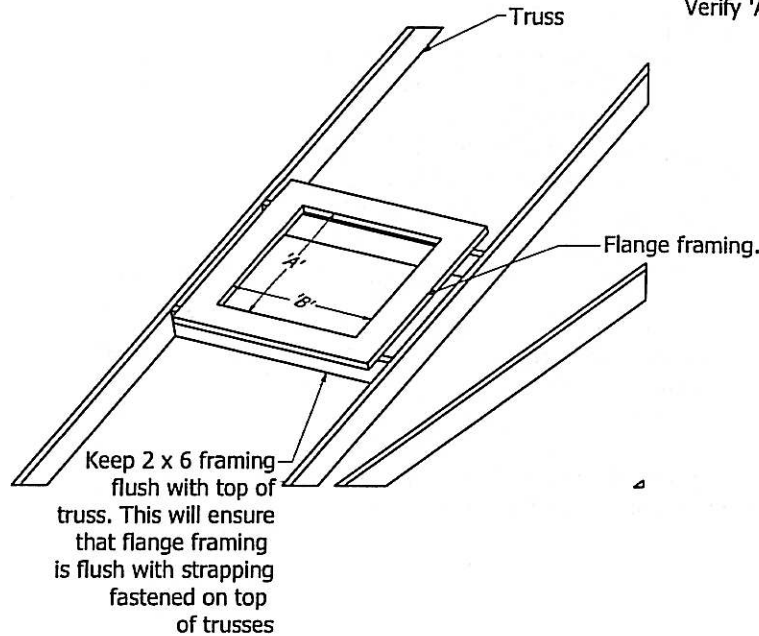
Cut between the indicated beads to create wanted fan size fit. Leave vertical portion of flange attached to create a tighter fit.



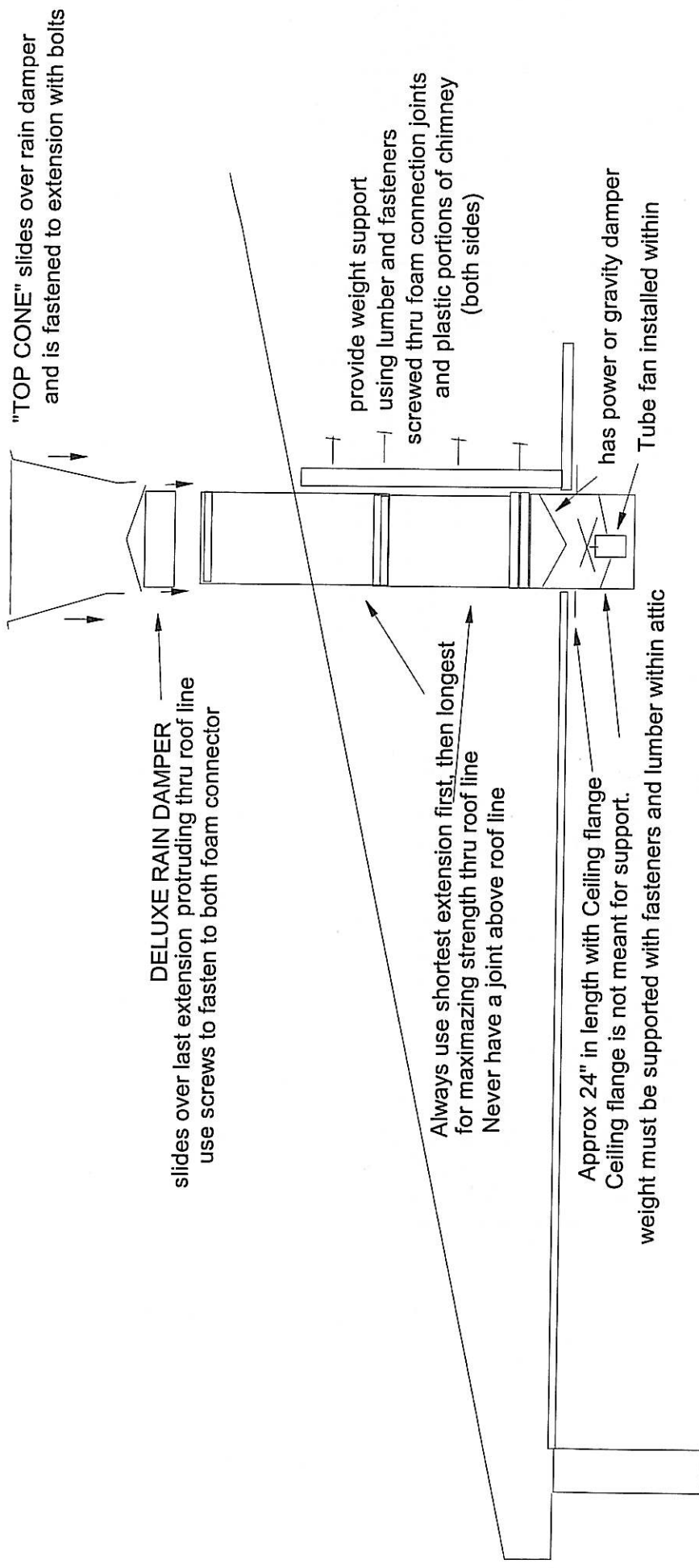
Fan Size	'A'	'B'
25"	30"	30"
22"	27"	27"
20"	25"	25"
18"	23"	23"
16"	21"	21"

Important!

Please note that the 'A' dimension will INCREASE with slope. Verify 'A' length case by case on site.



Better Air Systems
Box 490, R0H 0R0
MacGregor, Mb. Canada
ph. (204)252-2333
fx. (204)252-2928
web: www.betterair.ca



"TOP CONE" slides over rain damper and is fastened to extension with bolts

DELUXE RAIN DAMPER
slides over last extension protruding thru roof line
use screws to fasten to both foam connector

provide weight support using lumber and fasteners screwed thru foam connection joints and plastic portions of chimney (both sides)

has power or gravity damper
Tube fan installed within

Always use shortest extension first, then longest for maximizing strength thru roof line
Never have a joint above roof line

Approx 24" in length with Ceiling flange
Ceiling flange is not meant for support.
weight must be supported with fasteners and lumber within attic