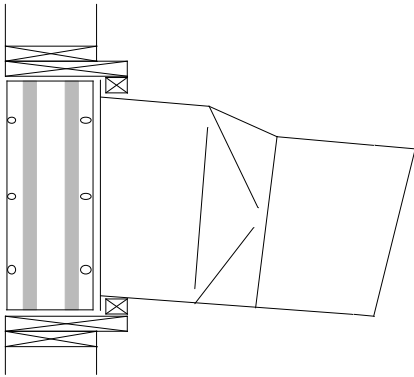
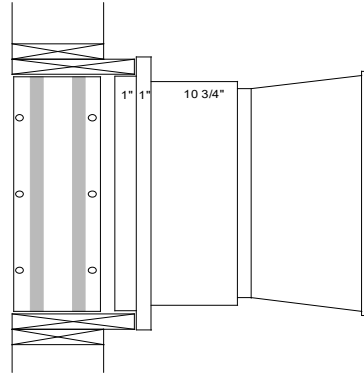


POSSIBLE INSTALLATION OF LIGHT TRAPS

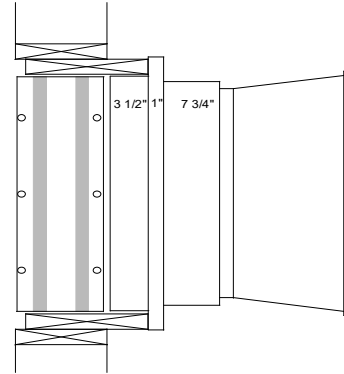
AF 16 - AF 48



MF-36



MF 50



- * ENSURE THAT THERE IS 9" OF DEPTH TO ALLOW LIGHT TRAP TO BE FULLY RECESSED INTO THE WALL.
- * IF THE FAN CANNOT BE RECESSED INTO THE WALL, AS INDICATED ABOVE, A SHELF MAY BE USED TO SUPPORT THE LIGHT TRAP.
- * BELOW IS A DIAGRAM SHOWING THAT A FRAME SHOULD BE BUILT AROUND LIGHT TRAP FOR SUPPORT. THIS WILL ALSO HELP PREVENT LIGHT FROM ENTERING THE BUILDING THROUGH THE TOP OF THE LIGHT TRAP.

