



## Tube fan

Vostermans Ventilation supplies outstanding fans, which are suitable for integration in casings, tubes, pipes and flues. The fans can be mounted horizontally as well as vertically. Industrial applications for these fans are not limited to the installation in ducts only. They can also be deployed in hot air cannons, humidifiers, inlet and outlets channels, etc. The unique advantages are: simple design, no distortion of the tube or pipe, easy installation and maintenance.

### Applications and options:

- Horizontal as well as vertical mounting possible
- Mounting supports and impeller can be customized to all tube sizes
- Harsh conditions resistant
- Almost all fans are continuously variable speed controllable
- Low power consumption
- Highly efficient and in compliance with strict safety specifications
- Standard fans can resist ambient temperatures up to 104 °F
- The majority of fans can be adapted to ambient temperatures up to 158 °F



### Advantages

- UL recognized motor
- Nearly all motors variable speed controllable
- Low energy costs
- Dust and splash-proof (IP55)
- Rated for washdown
- Low maintenance
- High reliability
- All components are recyclable
- Low noise emission
- 3 years warranty on the motor
- Tube mounting fasteners are optional

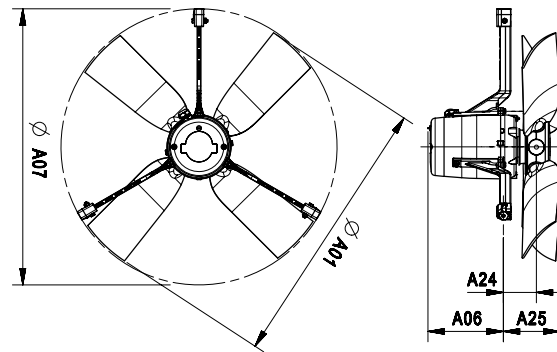
### Features

- Motor insulation class F (311 °F)
- Non-corrosive components and fastening materials
- Anti-corrosion coating on rotor and stator
- Aluminium motor housing and mounting supports
- Special high temperature bearings
- Available in multiple voltages and phases

# Dimensions

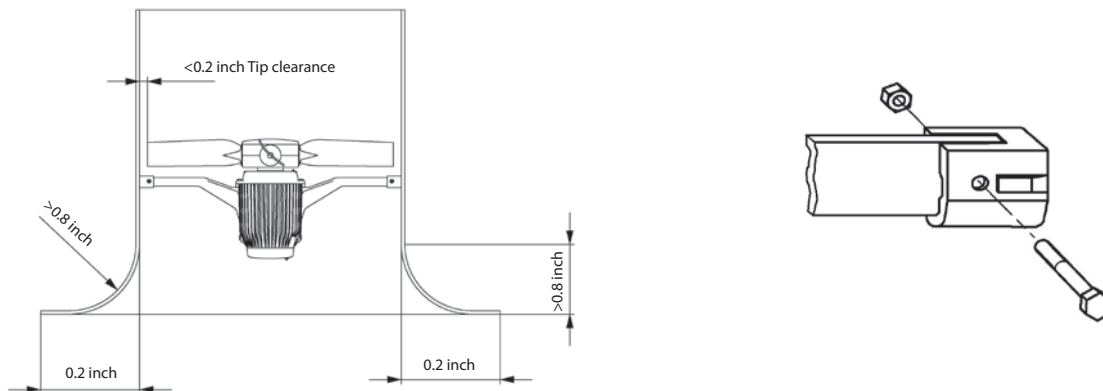
		Dimensions (inch)				
Ø inch		A01	A06	A07	A24	A25
13.8 - 22.0	Min	13.4	8.7	13.8	2.9	4.1
	Max	24.1	8.7	24.5	2.9	5.0
22.0 - 36.2	Min	19.9	8.7	20.3	3.2	5.0
	Max	35.7	8.7	36.1	3.2	5.4

A07= Inside tube



## Optimal result

To guarantee perfect control and optimal air capacity the tube must be equipped with an inlet flange. Using a stable tube a tip clearance of 0.2 inch is optimal.



Vostermans Ventilation B.V.  
P.O. Box 3025  
NL-5902 RA Venlo – Holland  
Tel. +31 (0)77 389 32 32  
Fax +31 (0)77 382 08 93  
[ventilation@vostermans.com](mailto:ventilation@vostermans.com)  
[www.vostermans.com](http://www.vostermans.com)

Vostermans Ventilation S.A.R.L.  
B.P. 1801  
27018 Evreux Cedex  
France  
Tel. +33 (0)2 32 38 11 00  
Fax +33 (0)2 32 33 37 12  
[ventilation@vostermansfrance.com](mailto:ventilation@vostermansfrance.com)  
[www.vostermans.com](http://www.vostermans.com)

All rights reserved. Vostermans Companies is not responsible for inaccurate or incomplete data. In case of questions and / or regards, please contact [ventilation@vostermans.com](mailto:ventilation@vostermans.com)

Vostermans Ventilation Inc.  
2439 S.Main St. – USA  
Bloomington, IL 61704  
Tel. +1 309 827 - 9798  
Fax +1 309 829 - 1993  
[ventilation@vostermansusa.com](mailto:ventilation@vostermansusa.com)  
[www.vostermansusa.com](http://www.vostermansusa.com)

Vostermans Ventilation Sdn. Bhd.  
330, Lot 2593, Jln Seruling 59, Kws3,  
Tmn Klang Jaya, 41200, Klang,  
Selangor D.E., Malaysia  
Tel. +60 (0)33324 3638 (HL)  
Fax +60 (0)33324 1239  
[ventilation@vostermansasia.com](mailto:ventilation@vostermansasia.com)  
[www.vostermans.com](http://www.vostermans.com)

Vostermans Ventilation B.V. develops, manufactures and distributes the full line of:

**Multifan** 

